

# WAITING ROOM

WOODEN WALL PANEL WITH SLATS AND LIGHT BEHIND

3RD Floor

Project



Owner

Date	Description
DSD-V1-ID-17/11/2024 - REV1	
DSD-V1-ID-27/1/2025 - REV2	



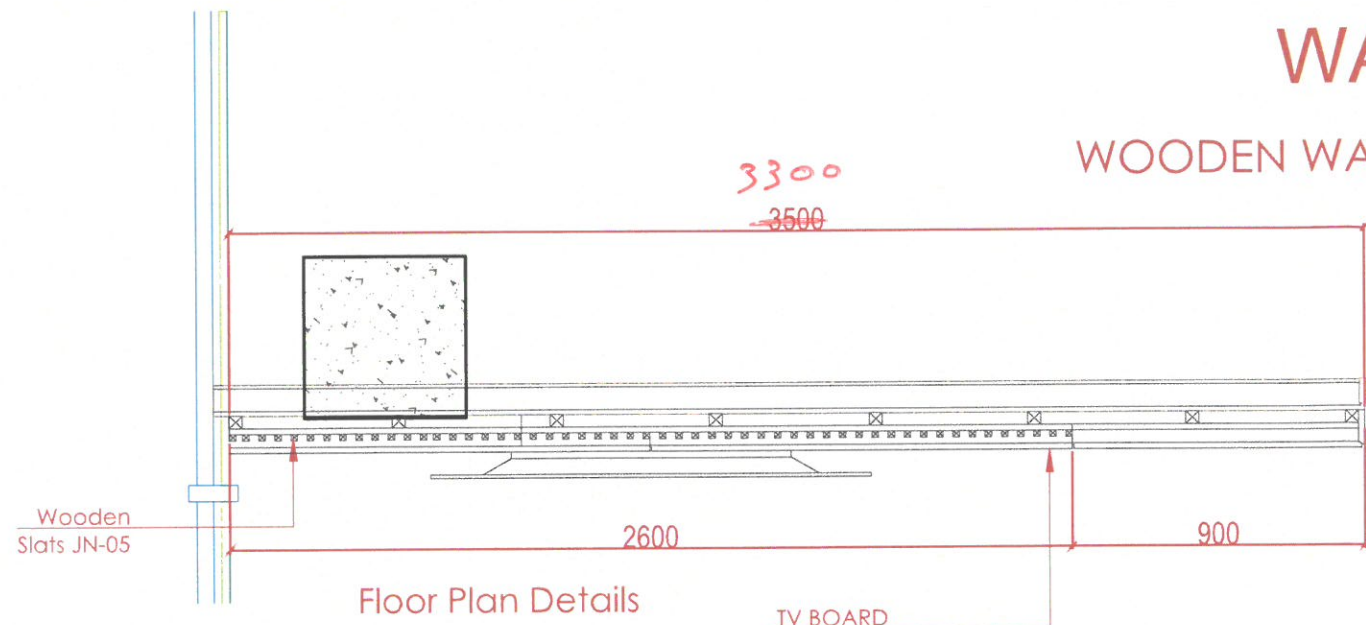
FOR APPROVAL

Project No. : ---  
Scale : N/A  
Drawn by : OBJ  
Checked : OBJ  
Cad File : CAD\_FILE

Sheet title  
3RD FLOOR  
WAITING ROOM  
WOODEN WALL PANEL WITH SLATS AND LIGHT BEHIND

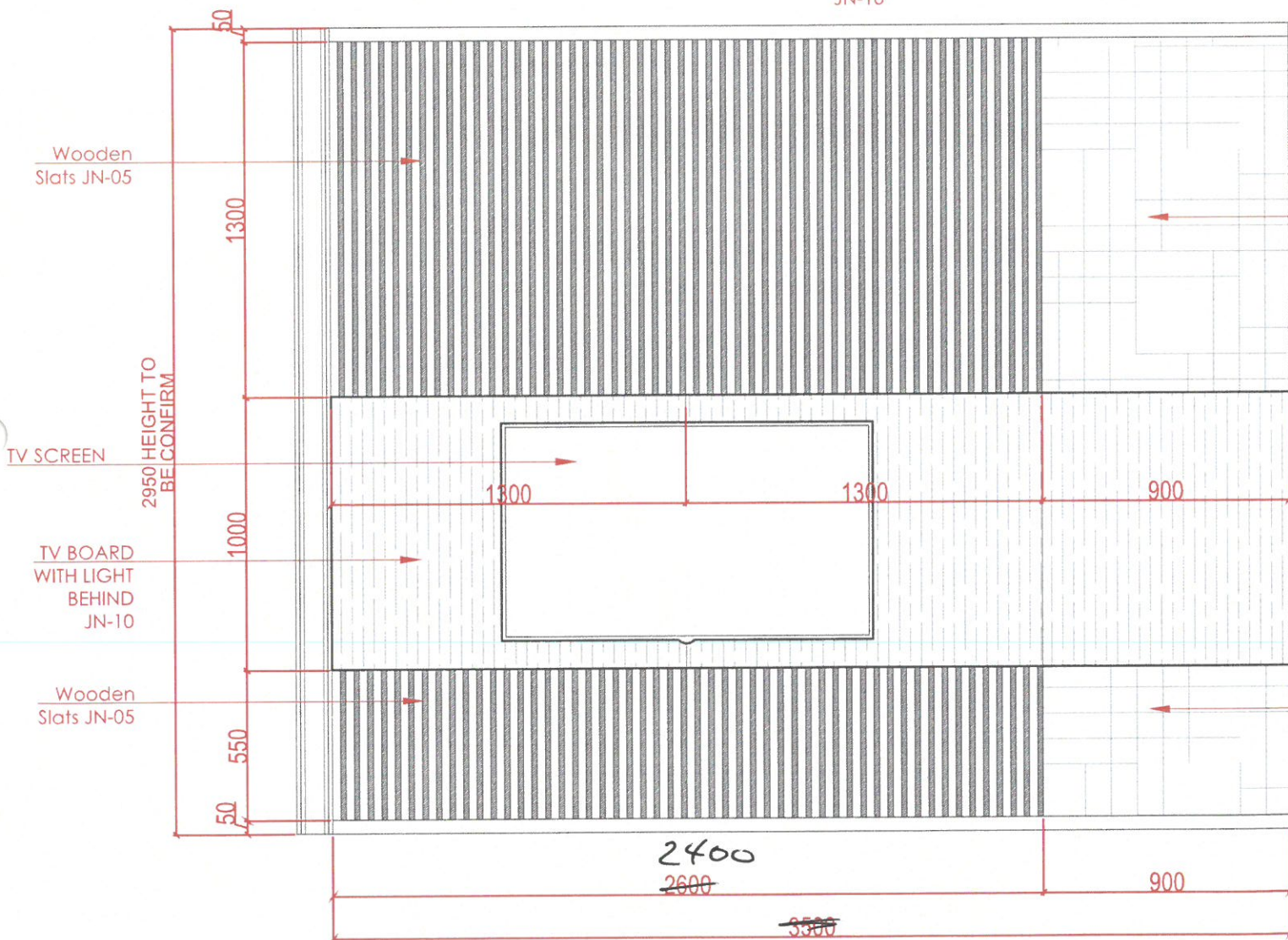
Floor Plan / Elevation / Sections

Dwg No.	No.
WS-DS-SD-ND-030	SHEET 1

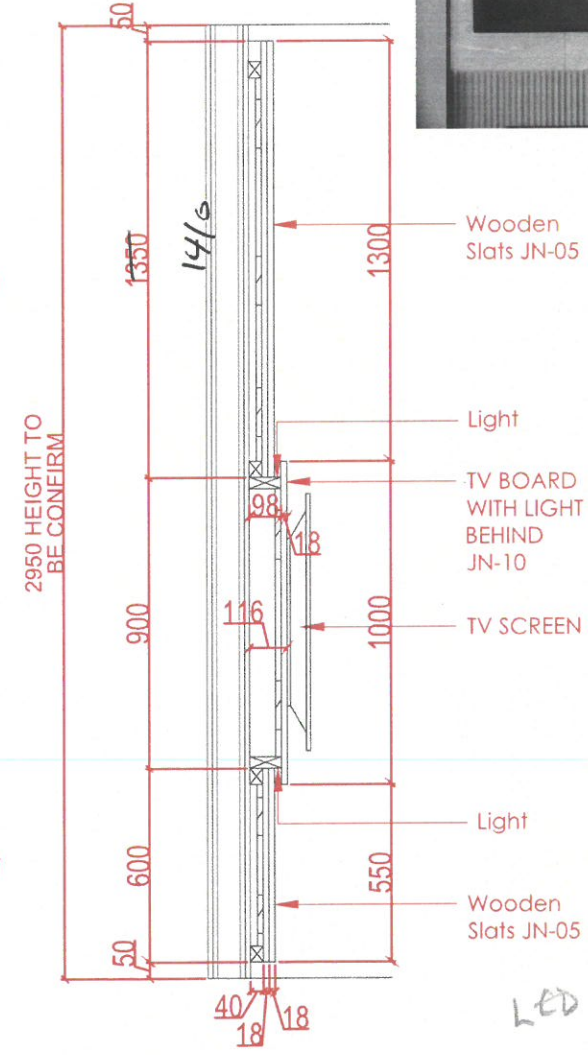


Floor Plan Details

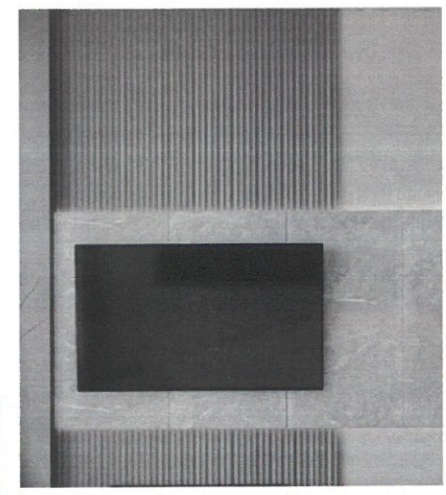
TV BOARD WITH LIGHT BEHIND JN-10



Front Elevation Details



sectional details



FINISHES	
JN-05 STARWOOD 322	
JN-10 STARWOOD LIGHT CONCRETE 901	